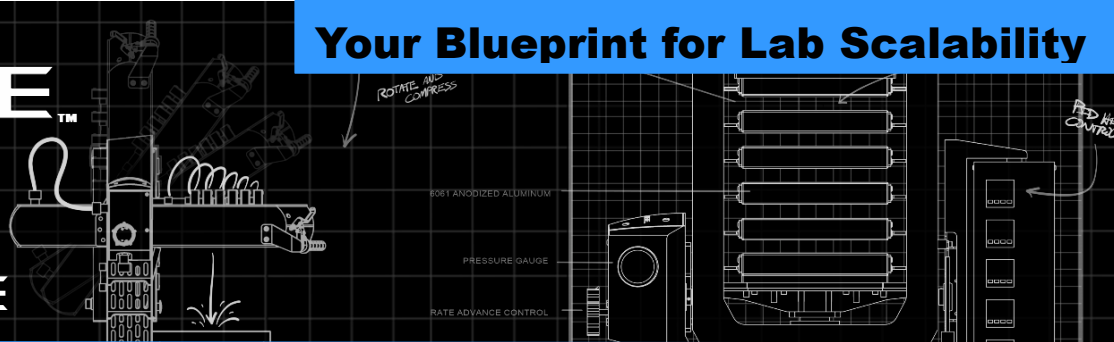


TOWERS HIGHRISE™

PRODUCT GUIDE

Your Blueprint for Lab Scalability



Press More Material

While Preserving the Best Quality

We make tools that enable craft rosin producers to manufacture at scale. Specific design elements of our press allow it to produce the highest quality oils in quantities both large and small.



TP255

5 Level 25 Ton Rosin Press

Say Goodbye to Single Level Limitations . . .

Designed for High Volume Extraction

Our multi-level design makes the most of a single workspace run by a single operator to process material into rosin as quickly and efficiently as possible. The Highrise avoids additional labor and enables the craft presser to achieve greater output while investing less time.

Premium Pressing Conditions

The Highrise makes use of optimal plate size and premium hardware to achieve the best possible heat accuracy, yielding the best quality rosin possible.

Quality Components Assembled in Southern California

Each press is assembled in Southern California with only UL and CE certified components in order to provide premium machine reliability.

Professional Support

We provide top level customer service and fast shipping options to accommodate high demand operations.



TP-255 5 Level Stacked Rosin Press

Choose how to apply pressure with Hand, Electric and Combination Hydraulic pump options.

TP-255H: Hand Hydraulic Pump Option:
\$33,790.00 USD

TP-255E: Electric Hydraulic Pump Option:
\$34,990.00 USD

TP-255C: Hand / Electric Pump Combo Option:
\$36,490.00 USD

Features:

- 10 X 4 X 1.5-inch anodized heated aluminum plates
- Five separate pressing surfaces compressed by one 25-ton BVA hydraulic cylinder
- 6 Locking rotation positions to facilitate extraction
- High precision RTD temperature sensors
- Eye-level digital hydraulic pressure gauge and removable timer
- Hand dial to control rate of pressure increase
- 300 watts of heating power per plate
- 120 Volt 20 amp circuit operation for both heaters and electric pump
- Internal LED work lighting



The Science of Small Surfaces:



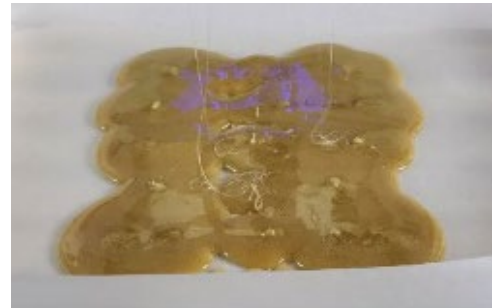
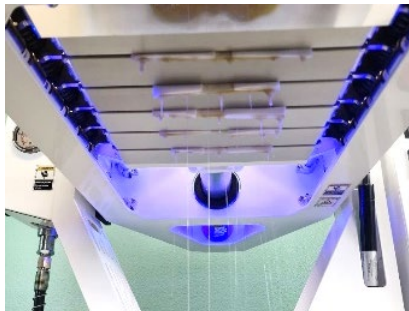
Top quality rosin comes from micron bags of a limited size. Large bags make oils travel further to escape the plates and, in turn, expose it to more heat and its degrading effects. Instead of pressing large amounts on bigger plates with bigger bags, our press makes optimum use of five smaller plates with smaller bags. The Highrise utilizes five 10 X 4 inch (25.4 X 10.2 cm) surfaces in order to maintain quality while accommodating more material per press. Each layer gets compressed by a 25 ton cylinder with the same timing under the same pressure. Total pressing area is 200 square inches.

Smaller Bags = Better Quality / Higher Yield

Use Gravity to Cool and Collect:



When rosin is pressed on horizontal plates, oil tends to puddle inside the folded parchment paper before it is expelled out of an opening. Our press body rotates up to 90 degrees allowing gravity to help oil escape through downward facing openings quicker. Falling oils then hit the surface below and flatten out into a puddle. Vertical heat plates along with an optional cooled catch surface all help to cool fresh pressed oil quicker, preserving its profile as much as possible.



Apply and Monitor Pressure:



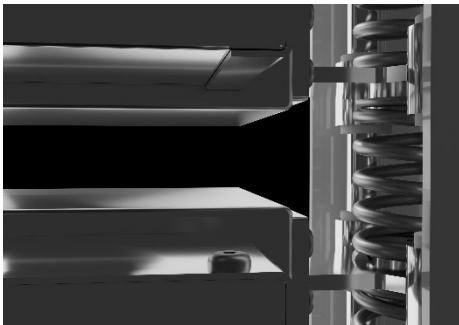
Our machine uses hydraulics to apply pressure to the plate stack. The **Electric Pump** option lets you compress the plates by pushing and holding a button on a pendant switch. A hand dial on the left side lets you adjust the speed at which the plates compress.

The **Hand Pump** option lets you apply pressure manually to the stack by physically pushing a lever. This lets the user feel the feedback on the pump and is a very precise way to apply pressure to your material.

We offer an option to have **both pumps** installed on the machine so that they can both be used during the same press. This mixture of convenience and precision is appealing to craft pressers.

A **Digital Pressure Gauge** is located on the left-hand side of the machine and accurately monitors even slight changes in hydraulic pressure. The gauge can be used in conjunction with the **Digital Timer** located below the gauge. This helps the user apply pressure at an ideal rate that is optimized for a specific material.

Keep Your Gaps Even with Strong Springs:



When pressing in a stack, each plate gap has to close together simultaneously so that all levels experience the same pressure at the same time. Strong spring force separation between plates makes this possible. 4 precision linear guides along with these springs also help to keep your plates even and resist tilting while pressing.

Go with Big Bags, or Take Advantage of Downsizing:



4 INCH DEEP

10 INCH WIDE

Press more than 500 grams of fine material per press or reduce your bag size to increase quality and yield. 3 X 10-inch bags can be used for maximum efficiency while smaller bags can be used in multiple configurations.

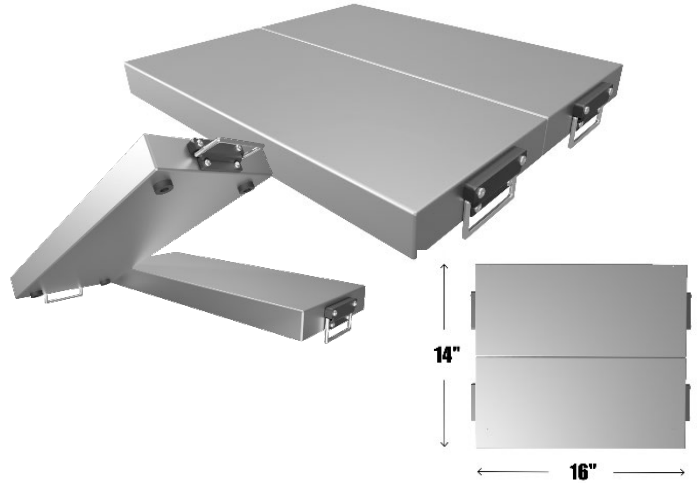


Accessories:

2 Piece solid Aluminum Cooling Plates

\$599.00 USD

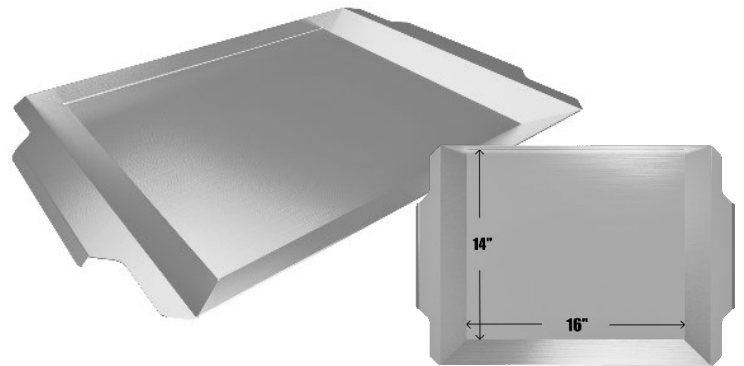
Our 2-piece cooling plates can be easily stored in a fridge or freezer, and then combined to make one large surface. They work to cool down large puddles of heated rosin quickly and efficiently.



Stainless Steel Catch Tray

\$199.00 USD

Line this catch tray with parchment paper or a silicone mat and place it underneath your tilted plates to collect puddling rosin. The flat bottom makes full contact with optional cooling plates, optimizing heat transfer.



Pair of Plate Separator Tools

\$299.00 USD

The plate separator hand tools can be placed between compressed heat plate levels to release one bag at a time. When used with the pressure release valve, it is helpful when you need to unload one or more bags from the stack without tilting upright.



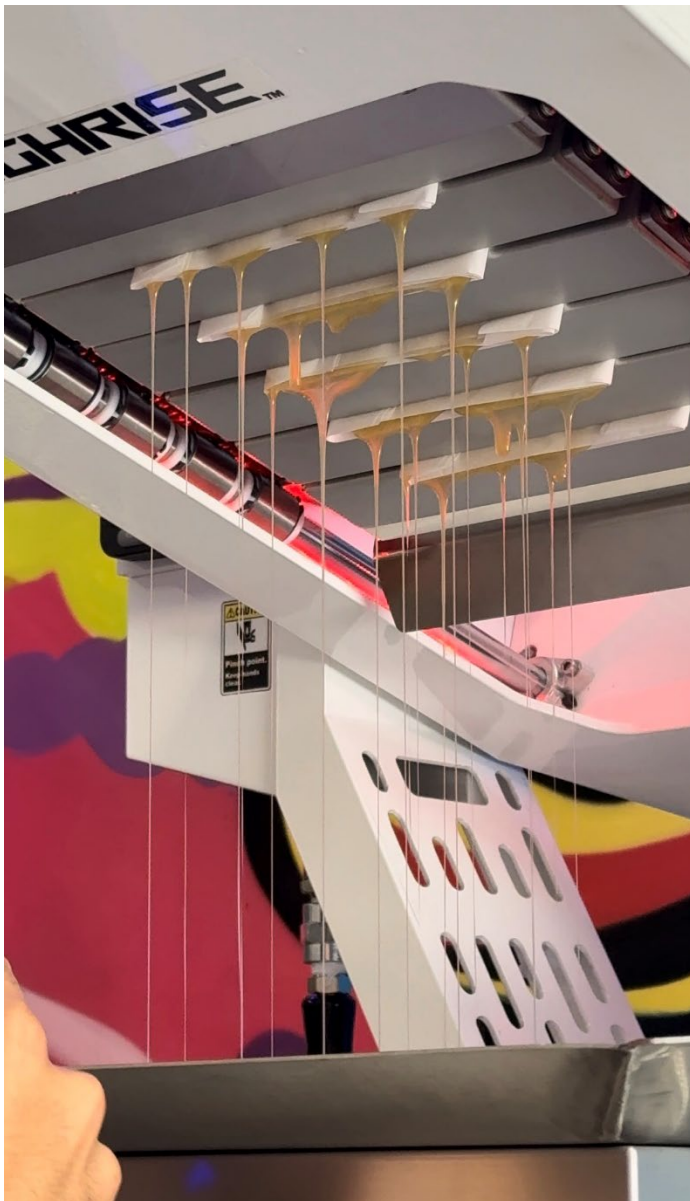
Contact us for Micron Bags and Parchment Paper

Contact Us

Join the Community of Next Level Rosin Manufacturers

Email us at: info@towershighrise.com

Call us at: 1+(805)-225-3218



  **@towers_highrise**

Visit towershighrise.com